



DYNAMIC

PERFORMANCE TOOLS



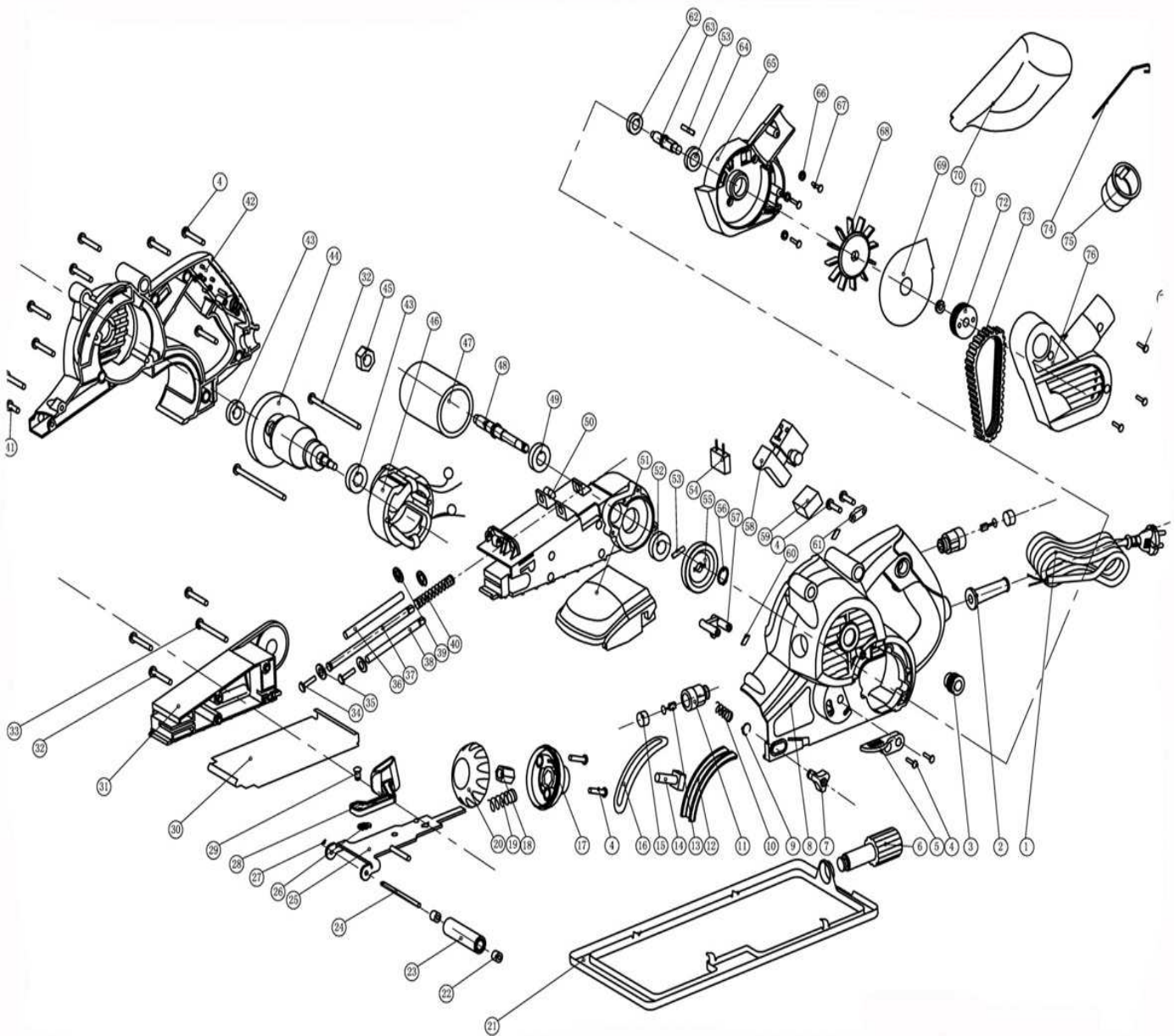
Barbuy Team S.A.

Ruta Nac. N° 9 Km 501 X2550CUR Bell Ville - Córdoba

fmartino@btatools.com.ar - repuestos@btatools.com.ar | www.btatools.com.ar

Listado de Partes

9993438 LIJADORA BANDA B.PERF.76x533-850WDP



9993438 LIJADORA BANDA B.PERF.76x533-850WDP

Codigo	Item	Descripcion
R99934640	1	CABLE ALIMENTACION 1 p/9993438
R99934641	2	PROTECTOR DE CABLE 2 p/9993438
R99934642	3	RUEDA PEQUEÑA 3 p/9993438
R99934643	5	PALANCA SEPARACION 5 p/9993438
R99934644	6	PERILLA AJUSTABLE 6 p/9993438
R99934645	7	PERILLA CENTRADO 7 p/9993438
R99934646	8	CARCAZA IZQUIERDA 8 p/9993438
R99934647	9	ANILLO 9 p/9993438
R99934648	10	RESORTE AJUSTABLE 10 p/9993438
R99934649	11	PORTA CARBON 11 p/9993438
R99934650	12	PLACA FIJACION PERILLA 12 p/9993438
R99934651	13	JGO DE CARBONES 13 p/9993438
R99934652	14	TORNILLO 14 p/9993438
R99934653	15	TAPA PORTA CARBON 15 p/9993438
R99934654	16	GUIA DE PERILLA 16 p/9993438
R99934655	17	CUBRE PERILLA INFERIOR 17 p/9993438
R99934656	18	TUERCA 18 p/9993438
R99934657	19	RESORTE 19 p/9993438
R99934658	20	CUBRE PERILLA SUPERIOR 20 p/9993438
R99934659	21	BASTIDOS 21 p/9993438
R99934660	22	COJINETE 22 p/9993438
R99934661	23	RODILLO 23 p/9993438
R99934662	24	EJE DE RODILLO 24 p/9993438
R99934663	25	PLACA SOPORTE RODILLO 25 p/9993438
R99934664	26	ARO 26 p/9993438
R99934665	28	PERILLA SUJETA HOJA 28 p/9993438
R99934666	29	PASADOR 29 p/9993438
R99934667	30	BASE 30 p/9993438
R99934668	31	SOPORTE 31 p/9993438
R99934669	36	VASTAGO 1 -36- p/9993438
R99934670	37	VASTAGO 2 -37- p/9993438
R99934671	38	VASTAGO 3 -38- p/9993438
R99934672	39	ARO 39 p/9993438
R99934673	40	RESORTE 40 p/9993438
R99934674	42	CARCAZA DERECHA 42 p/9993438
R99934675	44	ROTOR 44 p/9993438
R99934676	46	ESTATOR 46 p/9993438
R99934677	47	RUEDA MOTRIZ 47 p/9993438
R99934678	48	EJE DE TRANSMICION 48 p/9993438
R99934679	50	BASE 50 p/9993438
R99934680	51	TAPA FRONTAL 51 p/9993438
R99934681	54	CAPACITOR 54 p/9993438
R99934682	55	ENGRANAJE GRANDE 55 p/9993438
R99934683	56	ANILLO 56 p/9993438
R99934684	57	PASADOR 57 p/9993438
R99934685	58	INTERRUPTOR 58 p/9993438
R99934686	59	CONTROLOR DE VELOC. 59 p/9993438
R99934687	63	EJE DENTADO 63 p/9993438
R99934688	65	BASE DE EXTRACCION 65 p/9993438
R99934689	68	VENTILADOR EXTRAC. 68 p/9993438
R99934690	69	TAPA CUBRA POLVO 69 p/9993438
R99934691	70	BOLSA RECOLECTORA 70 p/9993438
R99934692	72	POLEA 72 p/9993438
R99934693	73	CORREA 73 p/9993438
R99934694	74	ALAMBRE SUJETADOR 74 p/9993438
R99934695	75	BOQUILLA DE SALIDA 75 p/9993438
R99934696	76	CUBRE CORREA 76 p/9993438