



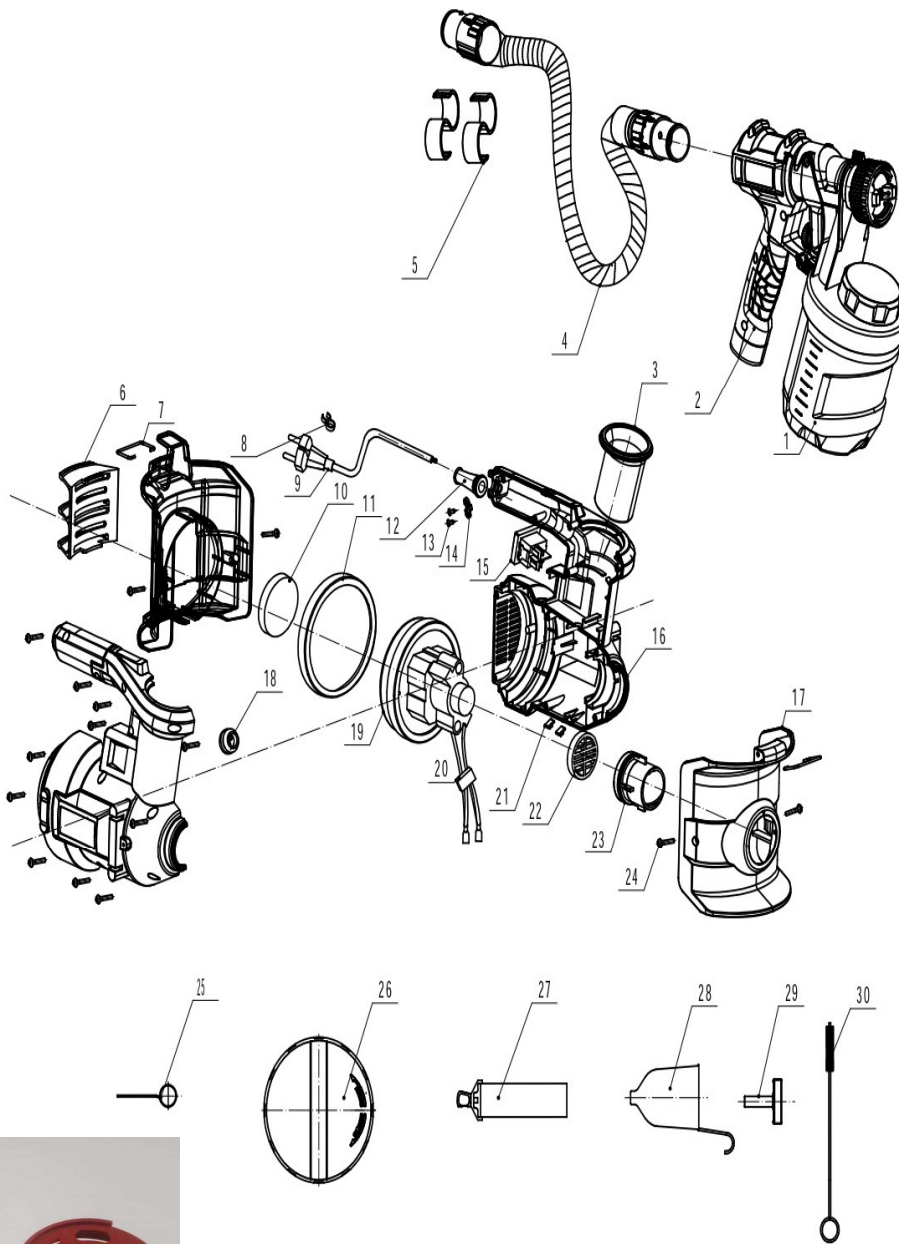
Barbuy Team S.A.

Ruta Nac. N° 9 Km 501 X2550CUR Bell Ville - Córdoba

fmartino@btatools.com.ar - repuestos@btatools.com.ar | www.btatools.com.ar

Listado de Partes

9993557 EQUIPO PINTURA HVLP 600W DP



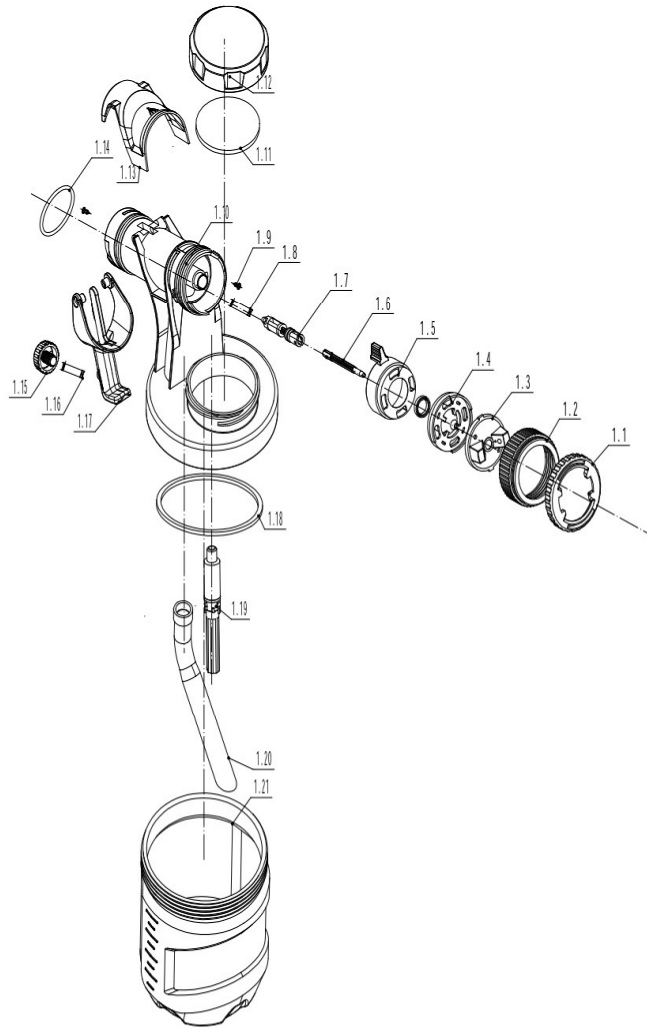
PICTURE 1

PICTURE 2

9993557 EQUIPO PINTURA HVLP 600W DP

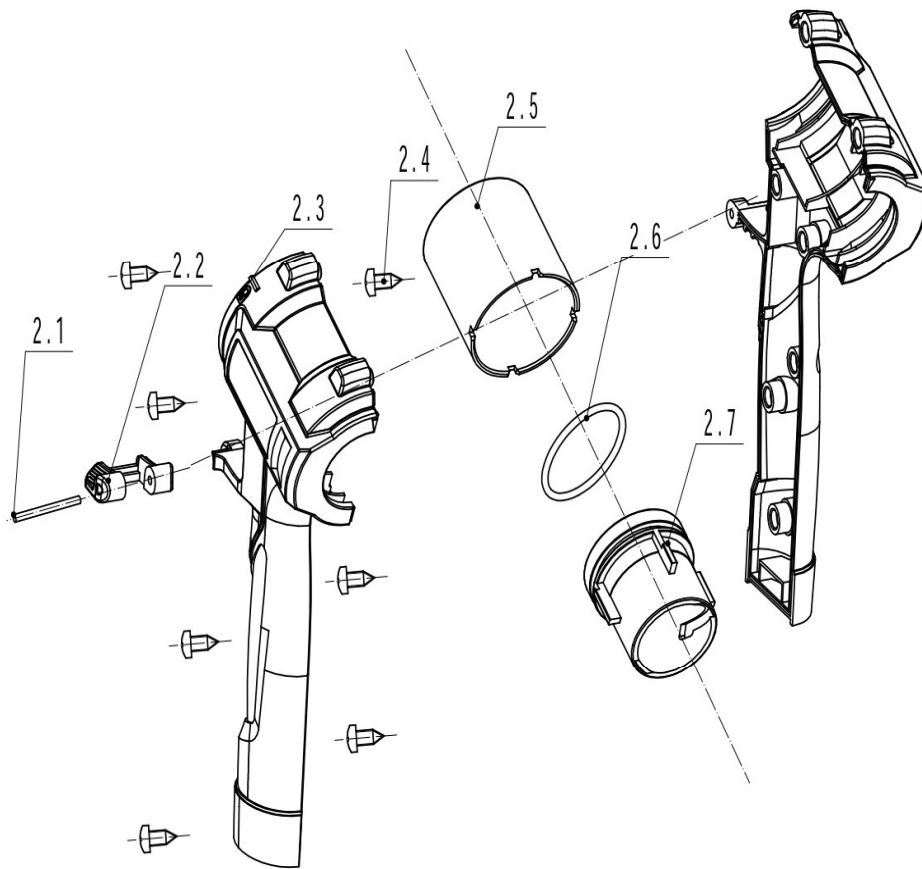
Codigo	Item	Descripcion
R99935463	3	SOPORTE DE PISTOLA 3 p/9993557
R99935464	4	MANGUERA COMPLETA 4 p/9993557
R99935465	5	TRABA DE MANGUERA 5 p/9993557
R99935466	6	TAPA DE MOTOR 6 p/9993557
R99935467	7	COLGADOR 7 p/9993557
R99935468	9	CABLE DE ALIMENTACION 9 p/9993557
R99935469	10	FILTRO TIPO GOMA ESPUMA 10 p/9993557
R99935470	11	ARO PROTECTOR 11 p/9993557
R99935471	12	PROTECTOR DE CABLE 12 p/9993557
R99935472	15	INTERRUPTOR 15 p/9993557
R99935473	16	JGO DE CARCASA MOTOR 16 p/9993557
R99935474	17	JGO DE CARCASA FRONTAL Y TRACERO 17
R99935475	18	SOPORTE D/MOTOR DELANTERO 18 p/9993557
R99935476	19	MOTOR 19 p/9993557
R99935477	20	CAPCITOR 20 p/9993557
R99935478	21	TRABAS 21 p/9993557
R99935479	22	REGILLA SALIDA AIRE 22 p/9993557
R99935480	23	CONECTOR DE MANGUERA 23 p/9993557
R99935481	25	AGUJA PARA LIMPIAR 25 p/9993557
R99935482	27	CORREA DE TRASLADO 26 p/9993557
R99935483	28	DEPOSITO DE VISCOSIDAD 28 p/9993557
R99935484	29	LLAVE 29 p/9993557
R99935485	30	LIMPIADOR PISTOLA 30 p/9993557
R99935486	1.4-1	PICO 2.5 p/9993557
R99935487	1.4-2	PICO 3.0 p/9993557

9993557 EQUIPO PINTURA HVLP 600W DP



Codigo	Item	Descripcion
R99935488	1.1	GUIA DE TUERCA 1.1 p/9993557-50.1
R99935489	1.2	TUERCA DE REGULACION 1.2 p/9993557-50.1
R99935490	1.3	BOQUILLA DE AIRE 1.3 p/9993557-50.1
R99935491	1.4	PICO 2.0 -1.4- p/9993557-50.1
R99935492	1.5	BOQUILLA REG. DE AIRE 1.5 p/9993557-50.1
R99935493	1.6	AGUJA DE FLUIDO 1.6 p/9993557-50.1
R99935494	1.7	CONECTOR DE AGUJA 1.7 p/9993557-50.1
R99935495	1.8	RESORTE 1.8 p/9993557-50.1
R99935496	1.10	CARCASA DE PISTOLA 1.10 p/9993557-50.1
R99935497	1.11	JUNTA DE TAPA CARGA 1.11 p/9993557-50.1
R99935498	1.12	TAPA DE CARGA 1.12 p/9993557-50.1
R99935499	1.13	PROTECTOR 1.13 p/9993557-50.1
R99935500	1.14	O-RING 1.14 p/9993557-50.1
R99935501	1.15	RESORTE DE PERILLA 1.15 p/9993557-50.1
R99935502	1.16	PERILLA 1.16 p/9993557-50.1
R99935503	1.17	GATILLO 1.17 p/9993557-50.1
R99935504	1.18	JUNTA DE DEPOSITO 1.18 p/9993557-50.1
R99935505	1.19	VALVULA DE SUCCION 1.19 p/9993557-50.1
R99935506	1.20	TUBO DE SUCCION 1.20 p/9993557-50.1
R99935507	1.21	DEPOSITO 1.21 p/9993557-50.1

9993557 EQUIPO PINTURA HVLP 600W DP



Codigo	Item	Descripcion
R99935508	2.1	PERNO 2.1 p/9993557
R99935509	2.2	ENCASTRE DE PISTOLA 2.2 p/9993557
R99935510	2.3	JGO DE CARCASA 2.3 p/9993557
R99935511	2.5	ACOPLE DE MANGUERA 2.5 p/9993557
R99935512	2.6	O-RING 2.6 p/9993557
R99935513	2.7	ACOPLE DE PISTOLA 2.7 p/9993557