

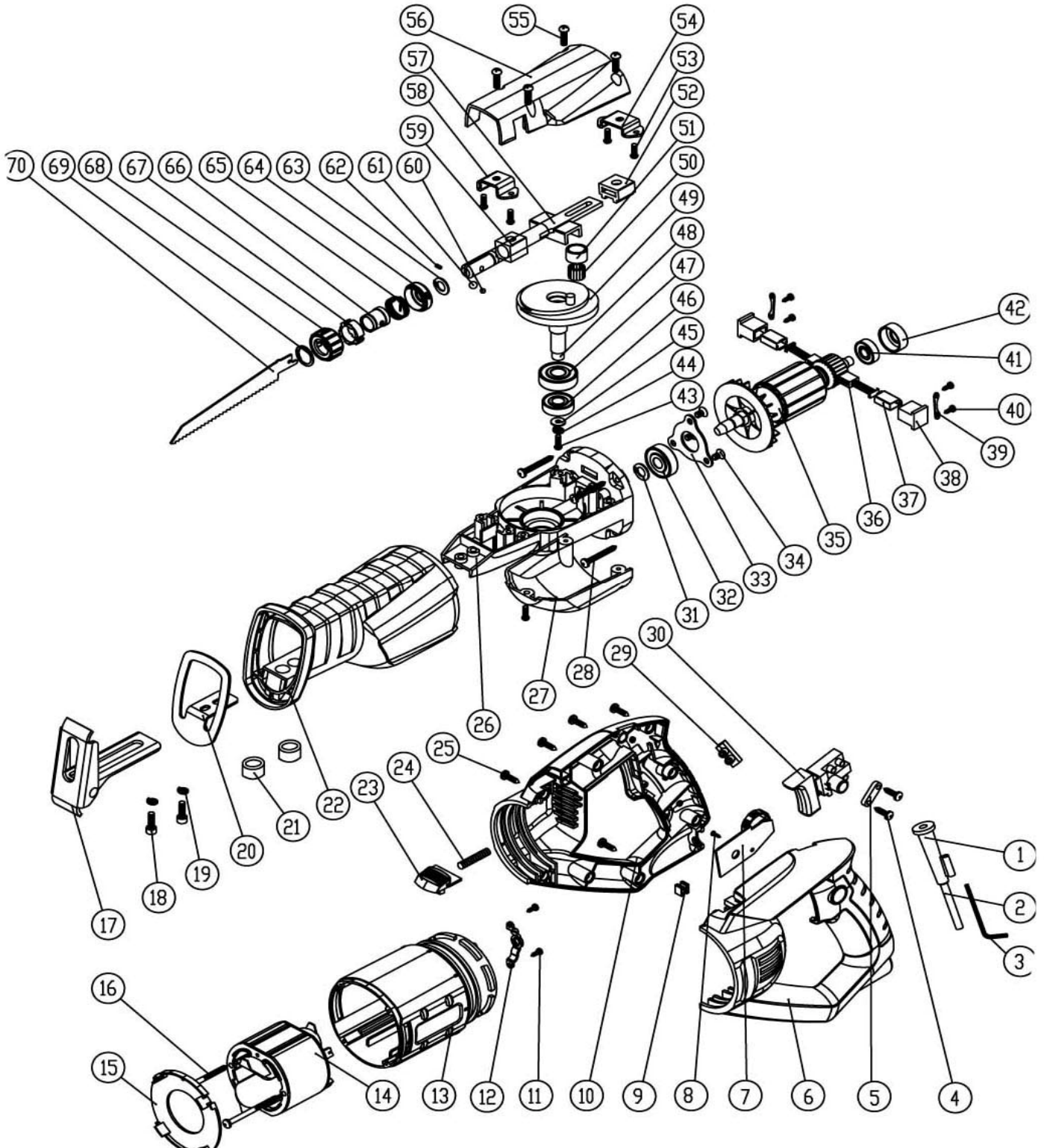
Barbuy Team S.A.

Ruta Nac. N° 9 Km 501 X2550CUR Bell Ville - Córdoba

fmartino@btatools.com.ar - repuestos@btatools.com.ar | www.btatools.com.ar

Listado de Partes

9993682 SIERRA SABLE 950W - 800-2700 rpm DP



9993682 SIERRA SABLE 950W - 800-2700 rpm DP

| Codigo | Item | Descripcion |
|---------------|-------------|-------------------------------------|
| R99936550 | 1 | PROTECTOR CABLE 1 p/9993682 |
| R99936551 | 2 | CABLE ALIMENTACION 2 p/9993682 |
| R99936552 | 3 | LLAVE DE AJUSTE 3 p/9993682 |
| R99936553 | 6 | CARCAZA IZQUIERDA 6 p/9993682 |
| R99936554 | 7 | PLAQUETA DE REGULACION 7 p/9993682 |
| R99936555 | 9 | LIMITADOR 9 p/9993682 |
| R99936556 | 10 | CARCAZA DERECHA 10 p/9993682 |
| R99936557 | 12 | TRABA DE ALAMBRE 12 p/9993682 |
| R99936558 | 13 | CARCAZA MOTOR 13 p/9993682 |
| R99936559 | 14 | ESTATOR 14 p/9993682 |
| R99936560 | 15 | DEFECTOR DE AIRE 15 p/9993682 |
| R99936561 | 17 | GUIA DE SIERRA 17 p/9993682 |
| R99936562 | 20 | PROTECTOR DELANT. 20 p/9993682 |
| R99936563 | 21 | SEPARADORES 21 p/9993682 |
| R99936564 | 22 | PROTECTOR PLAST. CENTRAL 22 |
| R99936565 | 23 | PERILLA P/ GIRAR 23 p/9993682 |
| R99936566 | 24 | RESORTE 24 p/9993682 |
| R99936567 | 26 | CABEZAL PORTA ENGRANAJES 26 |
| R99936568 | 27 | PROTECTOR 27 p/9993682 |
| R99936569 | 30 | INTERRUPTOR 30 p/9993682 |
| R99936570 | 31 | TRABA 31 p/9993682 |
| R99936571 | 33 | PROTECTOR RODAMIENTO 33 p/9993682 |
| R99936572 | 35 | ROTOR 35 p/9993682 |
| R99936573 | 36 | JGO DE CARBONES 36 p/9993682 |
| R99936574 | 37 | PORTA CARBONES 37 p/9993682 |
| R99936575 | 38 | TAPA PORTA CARBONES 38 p/9993682 |
| R99936576 | 42 | PROTECTOR RODAMIENTO 42 p/9993682 |
| R99936577 | 43 | TORNILLO 43 p/9993682 |
| R99936578 | 44 | RESORTE 44 p/9993682 |
| R99936579 | 45 | ARANDELA 45 p/9993682 |
| R99936580 | 48 | EJE DE GUIA 48 p/9993682 |
| R99936581 | 49 | ENGRANAJE 49 p/9993682 |
| R99936582 | 50 | RODILLO 50 p/9993682 |
| R99936583 | 51 | SEPARADOR 51 p/9993682 |
| R99936584 | 53 | SOPORTE DE EJE 52 p/9993682 |
| R99936585 | 55 | SOPORTE EJE TRACERO 54 p/9993682 |
| R99936586 | 56 | TAPA PORTA ENGRANAJE 56 p/9993682 |
| R99936587 | 57 | EJE PRINCIPAL 57 p/9993682 |
| R99936588 | 58 | SOPORTE DE EJE DELANT. 58 p/9993682 |
| R99936589 | 59 | ENCASTRE DELANTERO 59 p/9993682 |
| R99936590 | 60 | BOLITA DE ACERO 60 p/9993682 |
| R99936591 | 61 | BOLITA DE ACERO 61 p/9993682 |
| R99936592 | 62 | TRABA 62 p/9993682 |
| R99936593 | 63 | ARANDELA 63 p/9993682 |
| R99936594 | 64 | TAPA TRASERA 64 p/9993682 |
| R99936595 | 65 | RESORTE 65 p/9993682 |
| R99936596 | 66 | GUIA DE SIERRA 66 p/9993682 |
| R99936597 | 67 | TRABA DE SIERRA 67 p/9993682 |
| R99936597.1 | 67 | TRABA DE SIERRA 67 p/9993682 |
| R99936598 | 68 | TUERCA DE AJUSTE 68 p/9993682 |
| R99936599 | 69 | ARANDELA 69 p/9993682 |
| R99936600 | 70 | HOJA DE SIERRA 70 MADERA p/9993682 |
| R99936600.1 | 70 | HOJA DE SIERRA P/ME I AL p/9993682 |

