

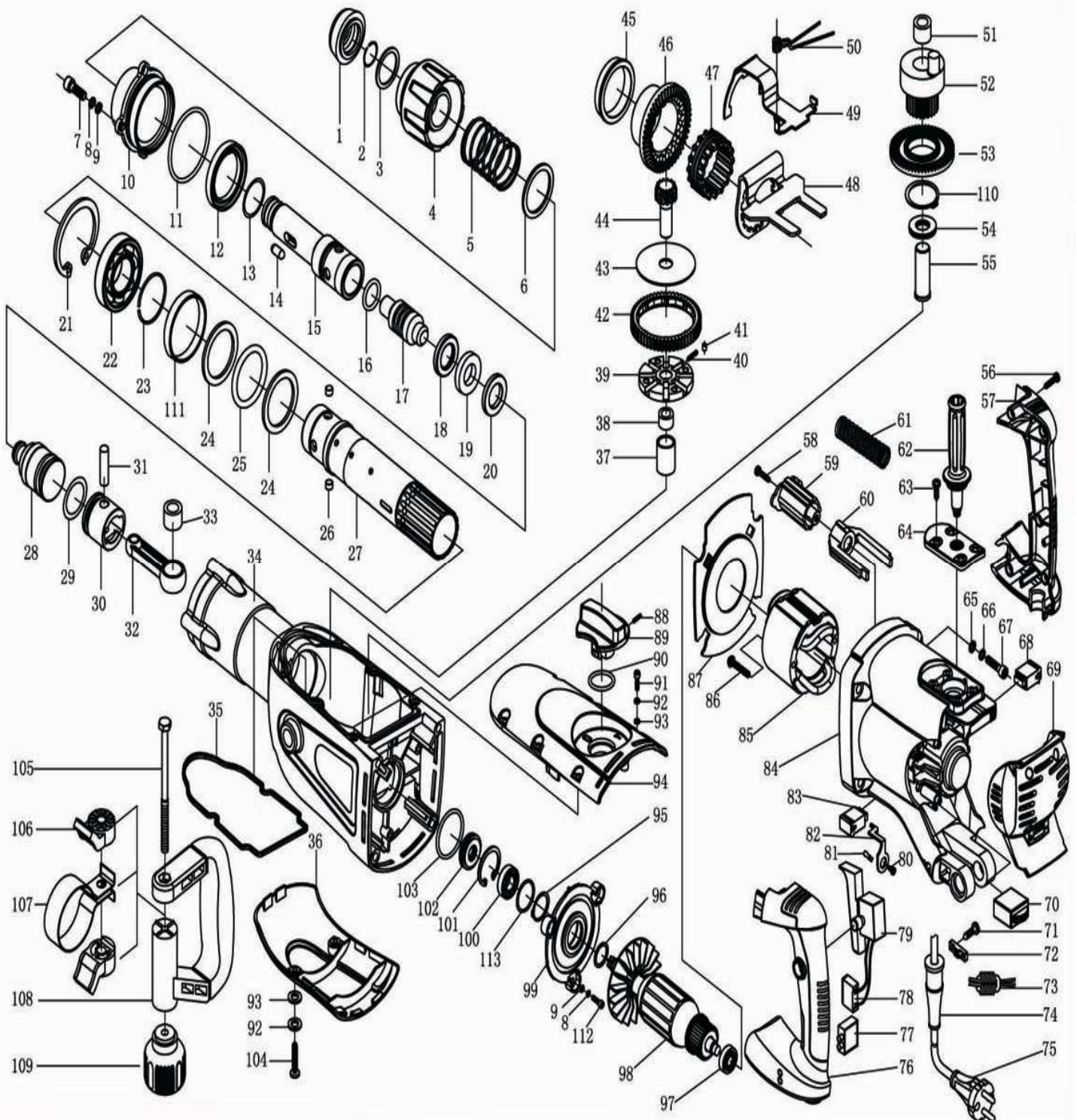
Barbuy Team S.A.

Ruta Nac. N° 9 Km 501 X2550CUR Bell Ville - Córdoba

fmartino@btatools.com.ar - repuestos@btatools.com.ar | www.btatools.com.ar

Listado de Partes

9993910 ROTOMARTILLO 50mm 1700W DP-MAG



9993910 ROTOMARTILLO 50mm 1700W DP-MAG

| Codigo | Item | Descripcion |
|---------------|-------------|------------------------------------|
| R99939700 | | TAPA FROTAL 1 p/9993910 |
| R99939701 | | ANILLO DE CIERRE 2 p/9993910 |
| R99939702 | | JUNTA TAPA FRONTAL 3 p/9993910 |
| R99939703 | | MANDRIL DESLIZABLE 4 p/9993910 |
| R99939704 | | RESORTE DE MANDRIL 5 p/9993910 |
| R99939705 | | ARANDELA 6 p/9993910 |
| R99939706 | | ALOJAMINETO DE RETEN 10 p/9993910 |
| R99939707 | | ORING 11 p/9993910 |
| R99939708 | | RETEN 12 p/9993910 |
| R99939709 | | ORING 13 p/9993910 |
| R99939710 | | CHAVETA 14 p/9993910 |
| R99939711 | | CUERPO DE APOYO 15 p/9993910 |
| R99939712 | | ORING 16 p/9993910 |
| R99939713 | | EJE PERCUTOR 17 p/9993910 |
| R99939714 | | RETEN EJE PERCUTOR 18 p/9993910 |
| R99939715 | | ARANDELA INTERMEDIA 19 p/9993910 |
| R99939716 | | ARANDELA ANTIVIBRACION 20p/9993910 |
| R99939717 | | ANILLO DE CIERRE 21 p/9993910 |
| R99939718 | | ARO SEGUER 23 p/9993910 |
| R99939719 | | ARANDELA 24 p/9993910 |
| R99939720 | | ORING 25 p/9993910 |
| R99939721 | | ARANDELA 26 p/9993910 |
| R99939722 | | CILINDRO 27 p/9993910 |
| R99939723 | | ASIENTO DE PISTON 28 p/9993910 |
| R99939724 | | ORING 29 p/9993910 |
| R99939725 | | PISTON 30 p/9993910 |
| R99939726 | | PERNO PISTON 31 p/9993910 |
| R99939727 | | BIELA 32 p/9993910 |
| R99939728 | | RODILLO 33 p/9993910 |
| R99939729 | | CARCAZA ENGRANAJES 34 p/9993910 |
| R99939730 | | JUNTA 35 p/9993910 |
| R99939731 | | BASE DE CARCAZA 36 p/9993910 |
| R99939732 | | BUJE C/ RODILLO 37-38 p/9993910 |
| R99939734 | | CENTRO 39 p/9993910 |
| R99939735 | | RESORTE DE EMBRAGUE 40 p/9993910 |
| R99939736 | | ENGRANAJE SECUNDARIO 42 p/9993910 |
| R99939737 | | TAPA DE EMBRAGUE 43 p/9993910 |
| R99939738 | | PIÑON DE MANDO 44 p/9993910 |
| R99939739 | | RETEN 45 p/9993910 |
| R99939740 | | ENGRANAJE DE MANDO 46 p/9993910 |
| R99939741 | | EMBRAGUE 47 p/9993910 |
| R99939742 | | PLATO DE EMPUJE 48 p/9993910 |
| R99939743 | | HORQUILLA SELECTORA 49 p/9993910 |
| R99939744 | | RESORTE TENSOR 50 p/9993910 |
| R99939745 | | RODILLO 51 p/9993910 |
| R99939746 | | EJE MANDO ENGRANAJES 52 p/9993910 |
| R99939747 | | ENGRANAJE PRIMARIO 53 p/9993910 |
| R99939748 | | ARANDELA 54 p/9993910 |

9993910 ROTOMARTILLO 50mm 1700W DP-MAG

| Codigo | Item | Descripcion |
|---------------|-------------|-------------------------------------|
| R99939749 | | BUJE 55 p/9993910 |
| R99939750 | | MANIJA DERECHA 57 p/9993910 |
| R99939751 | | GUIA ANTIVIBRACION 59 p/9993910 |
| R99939752 | | TRABA 60 p/9993910 |
| R99939753 | | RESORTE ANTIVIBRACION 61 p/9993910 |
| R99939754 | | MANGO AUXILIAR 62 p/9993910 |
| R99939755 | | BASE DE MANIJA 64 p/9993910 |
| R99939756 | | PORTA CARBONES 68 p/99939103 |
| R99939757 | | TAPA TRACERA 69 p/9993910 |
| R99939758 | | REGULADOR DE VELOCIDAD 70 p/9993910 |
| R99939759 | | INDUCTANCIA 73 p/9993910 |
| R99939760 | | PROTECTOR DE CABLE 74 p/9993910 |
| R99939761 | | CABLE DE ALIMENTACION 75 p/9993910 |
| R99939762 | | CARCAZA IZQUIERDA 76 p/9993910 |
| R99939763 | | LED INDICADOR 77 p/9993910 |
| R99939764 | | CAPACITOR 78 p/9993910 |
| R99939765 | | INTERRUPTOR 79 p/9993910 |
| R99939766 | | JGO DE CARBONES 83 p/9993910 |
| R99939767 | | CARCAZA MOTOR 84 p/9993910 |
| R99939768 | | ESTATOR 85 p/9993910 |
| R99939769 | | DEFECTOR DE AIRE 87 p/9993910 |
| R99939770 | | RESORTE 88 p/9993910 |
| R99939771 | | PERILLA SELECTORA 89 p/9993910 |
| R99939772 | | ORING 90 p/9993910 |
| R99939773 | | TAPA CAJA ENGRANAJE 94 p/9993910 |
| R99939774 | | ARANDELA 95 p/9993910 |
| R99939775 | | ANILLO 96 p/9993910 |
| R99939776 | | ROTOR 98 p/9993910 |
| R99939777 | | PORTECTOR DE ROTOR 99 p/9993910 |
| R99939778 | | ANILLO DE CIERRE 101 p/9993910 |
| R99939779 | | RETEN 102 p/9993910 |
| R99939780 | | ORING 103 p/9993910 |
| R99939781 | | TUERCA DE AJUSTE 106 p/9993910 |
| R99939782 | | ABRAZADERA 107 p/9993910 |
| R99939783 | | MANIJA AUXILIAR 108 p/9993910 |
| R99939784 | | PERILLA 109 p/9993910 |
| R99939785 | | ANILLO DE CIERRE 110 p/9993910 |
| R99939786 | | ORING 113 p/9993910 |
| R99939787 | | COBERTOR DE CARTON p/9993910 |